

baby&child

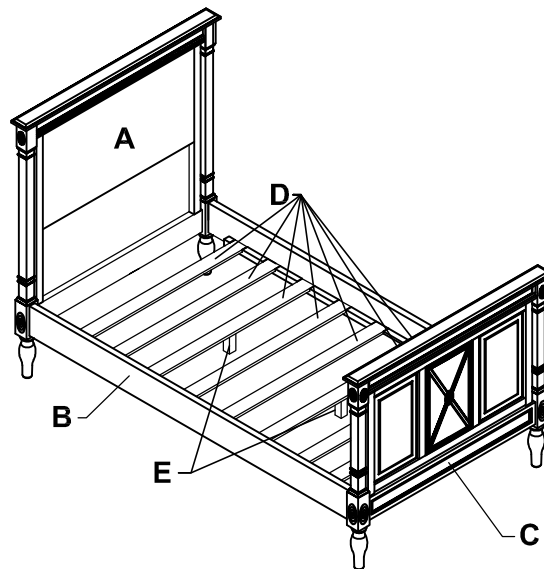
RESTORATION HARDWARE

J O U R D A N T W I N / F U L L B E D

⚠ WARNING: ADULT ASSEMBLY ONLY OWING TO THE PRESENCE OF SMALL PARTS, SHARP POINTS AND EDGES

PART LIST

- A HEADBOARD
- B SIDE RAILS
- C FOOT BOARD
- D BED SLATS
- E VERTICAL SUPPORT SLATS








IMPORTANT

These bed parts can be cumbersome and heavy to some people, therefore the assistance of two or more people is recommended in order to prevent personal injury and ensure the bed parts are not damaged during the assembly process.

TOOLS NEEDED

- WRENCH (PROVIDED)

HARDWARE LIST

NO.		DESCRIPTION	Qty
1		Threaded rod	4 PCS
2		Curved washer	4 PCS
3		Lock washer	4 PCS
4		Hexagonal nut	4 PCS
5		Open wrench	1 PC

Customer Service - If you are missing parts or have any questions about this product please contact us at 1-800-762-1751

FIGURE 01

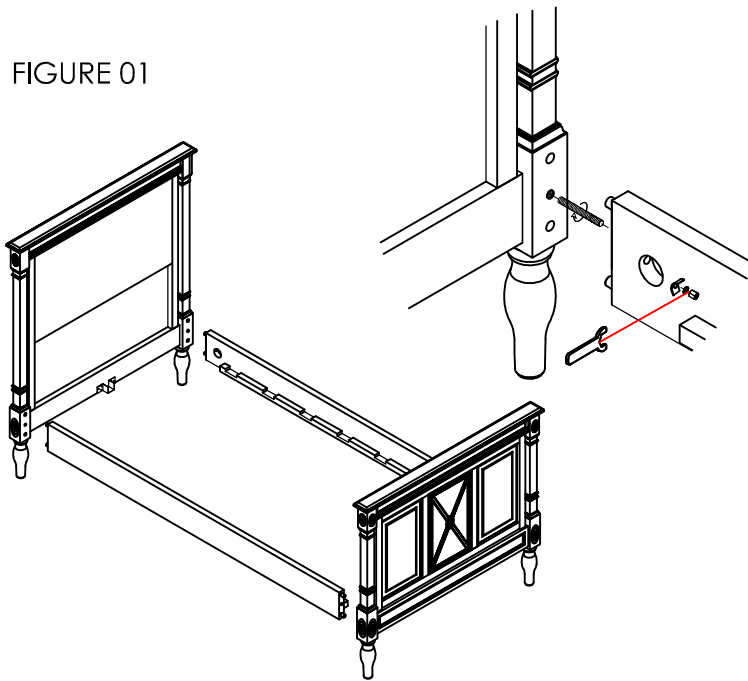
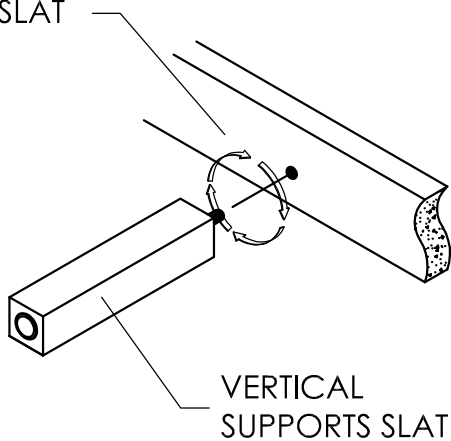


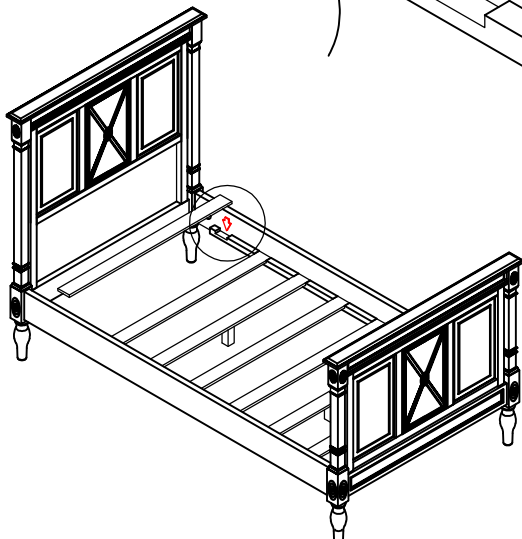
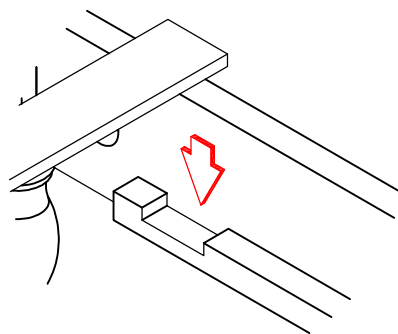
FIGURE 02

BED SLAT

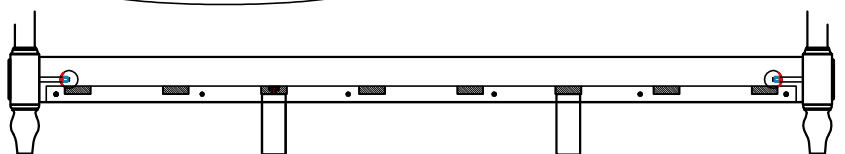


VERTICAL SUPPORTS SLAT

FIGURE 03



BED SLATS PLACEMENT



ASSEMBLY INSTRUCTIONS:

Thank you for choosing this quality product. Be sure to check all packaging materials carefully for small parts that may have become loose during shipment and place all parts on a non-abrasive surface.

STEP #1:

Place the headboard (A) upright in the position you wish the bed to be in when fully assembled. The headboard bed fast hardware should be facing inside, toward the mattress. Secure the threaded rod (1) to the fixed nut in the headboard (A) by simply turning it manually. Raise the side rail (B) up and place the rod (1) to align with the bore holes on the end of the side rails (B). Put the side rails (B) up against the headboard (A) so the threaded rods go through the bore holes. Insert curved washer (2) and lock washer (3), then engage hexagonal nuts (4) on threaded rod (1) and tighten the hexagonal nuts (4) with open wrench (5), as illustrated in **FIGURE 01**.

STEP #2:

Repeat the above procedure with the other side rail (B) to attach it to the headboard (A), and then repeat to connect side rails (B) to the foot board (C).

STEP #3:

On inside surface of both side rails (B) are cavities designed to hold the individual bed slats (D). Set the individual bed slats (D) into the cavities of both side rails (B), but before that, install the vertical support slats (E) on designated bed slats (D) as in **FIGURE 02** and for the bed slats installation as in **FIGURE 03**.